



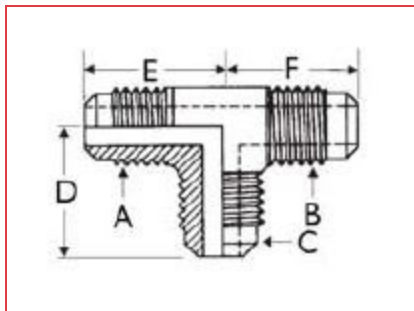
Mueller Streamline Co. Headquarters

150 Schilling Blvd
Suite 201
Collierville, Tennessee 38017
United States
Phone: 901 753 3200

Mueller Streamline Co. International

525 Okeechobee Blvd
Suite 860
West Palm Beach, FL 33401
United States
Phone: 561 273 8300

ITEM # A 04559, 45° FLARE FITTINGS - TEES -THREE-WAY REDUCING



[Specifications](#) | [Dimensions](#) | [Packaging](#)

Specifications

Universal Category Code	TR2-86
Connection Size	1/2 in
End Type	Flare
Second Connection Size	1/2
Second End Type	Flare
Third Connection Size	3/8 in
Third End Type	NPTFE
MAP	48 bar 700 psi
Weight	0.191 lb

Dimensions

A	1/2 in
B	1/2 in
C	3/8 in
D	1.13 in
E	1.22 in

Packaging

Box (Qty)	15
------------------	----